

GROUP 1P – P3000 SERIES

PERFORMANCE DATA

Pressures quoted are relief valve maximum by-pass

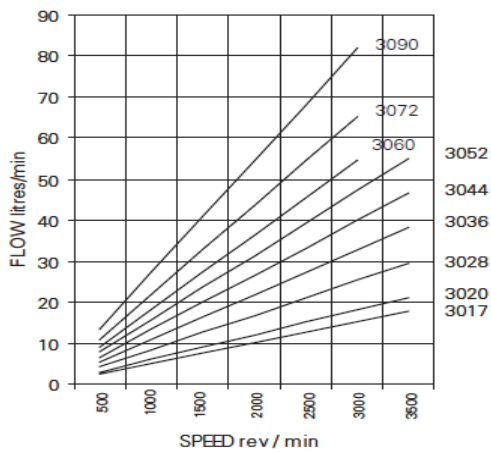
Performance with SAE 20W oil at 50° C

PUMP TYPE	DISPLACEMENT cc/rev	NOMINAL DELIVERY @1500 RPM & PRESSURE P		MAXIMUM CONTINUOUS PRESSURE P		SPEED AT MAXIMUM CONTINEOUS PRESSURE P	
		Max(lpm)	Min(lpm)	psi	bar	Max	Min
3017	6.1	9.2	7.8	3000	207	3500	700
3020	7	10.5	8.9	3000	207	3500	700
3023	7.9	11.9	10.1	3000	207	3500	700
3027	9.2	13.8	11.8	3000	207	3500	700
3028	9.4	14.2	12.2	3000	207	3500	700
3032	10.6	16	14.1	3000	207	3500	700
3036	11.9	17.85	15.7	3000	207	3500	700
3040	13.1	19.7	17.3	3000	207	3500	700
3044	14.3	21.5	18.9	3000	207	3500	700
3052	16.8	25.2	22.9	3000	207	3500	700
3055	17.6	26.5	23.8	3000	207	3500	700
3060	19.2	28.8	26.5	3000	207	3500	700
3072	22.8	34.3	31.5	2525	174	3000	700
3090	28.1	42.2	38.8	2000	138	2400	700

TYPICAL PERFORMANCE

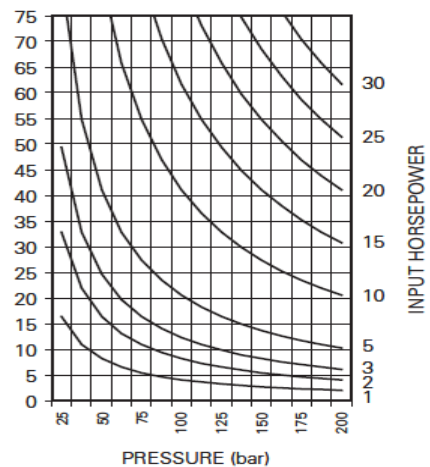
TYPICAL PUMP DELIVERY

Flow at Max. Pressure.

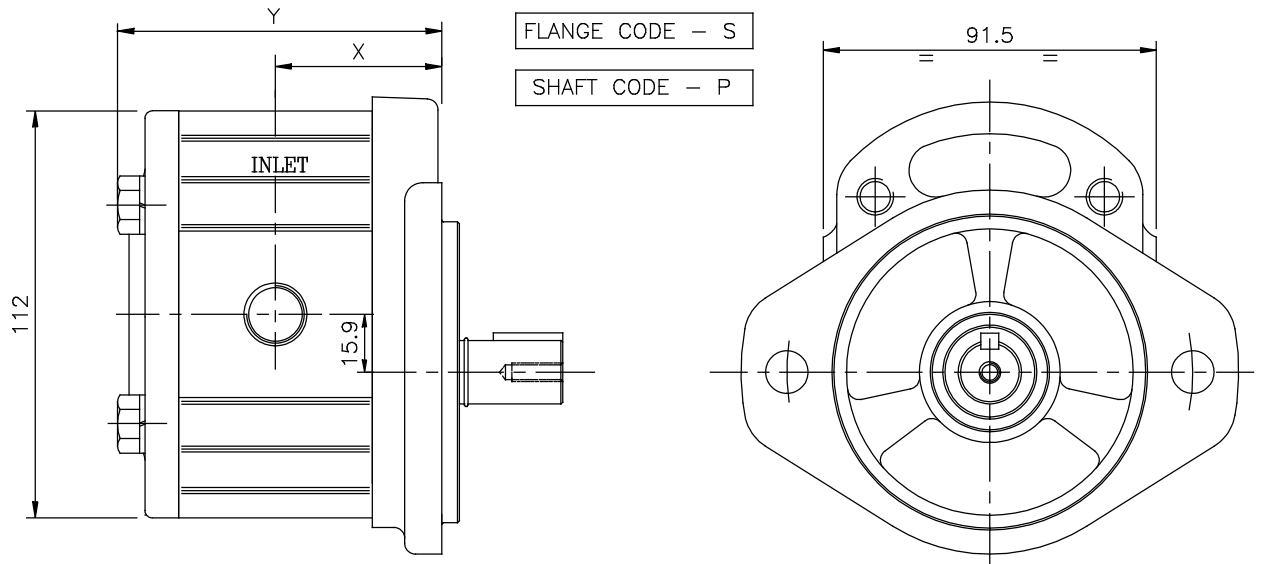


TYPICAL INPUT HORSEPOWER

Fluid SAE 20W
Fluid Temperature 50° C

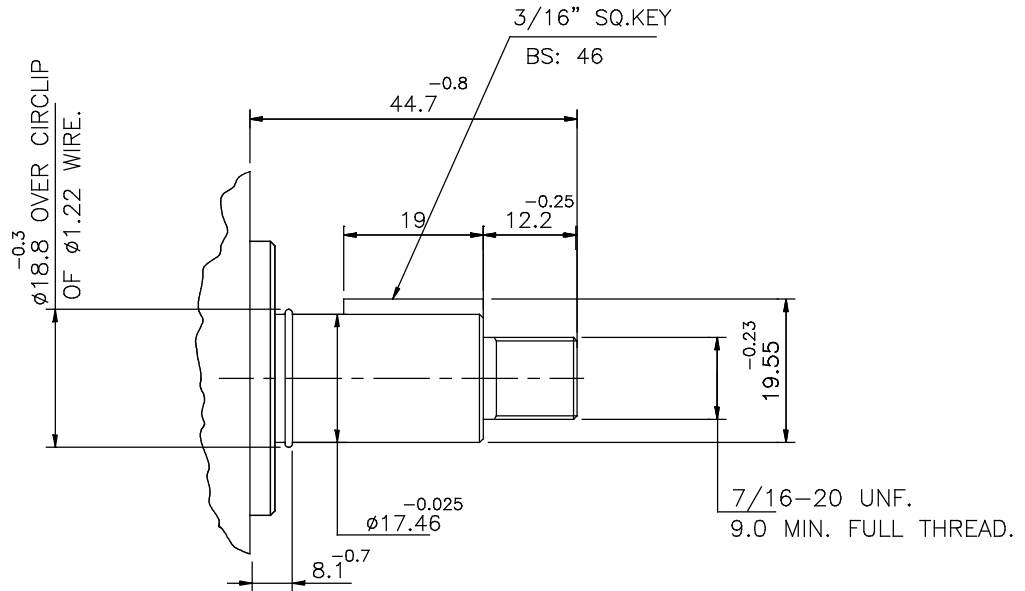


INSTALLATION DIMENSIONS
1P 3000 SERIES

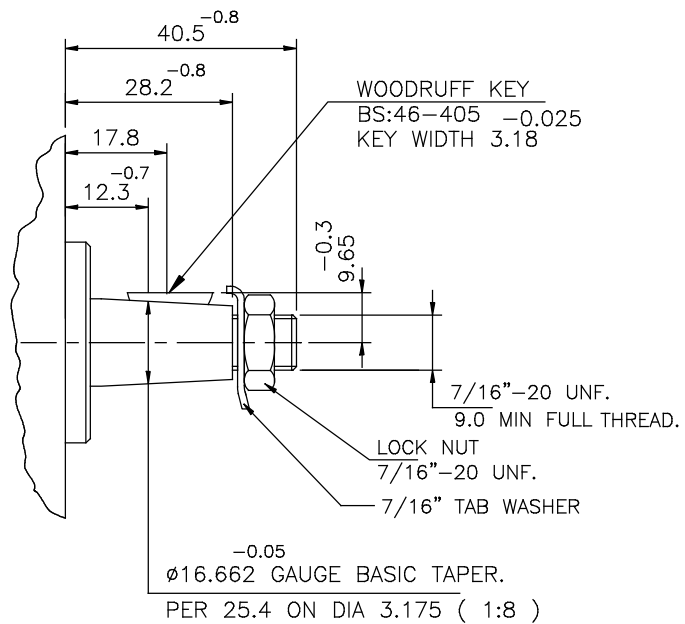


PUMP TYPE.	DIMENSIONS	
	X	Y
1P-3013	41.3	81.3
1P-3017	41.8	82.4
1P-3018	41.9	82.7
1P-3020	42.6	83.9
1P-3028	44.1	87.0
1P-3036	45.6	90.1
1P-3044	54.6	108.1
1P-3052	56.2	111.2
1P-3060	57.7	114.3
1P-3072	60.0	118.9
1P-3090	63.3	125.5

DRIVE SHAFT CODE - U
 FLANGE CODE - D & S

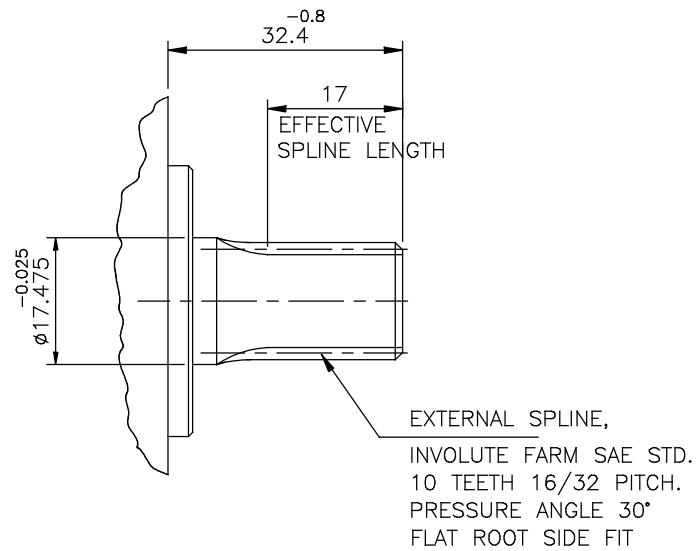


DRIVE SHAFT CODE - T
 FLANGE CODE - D & S



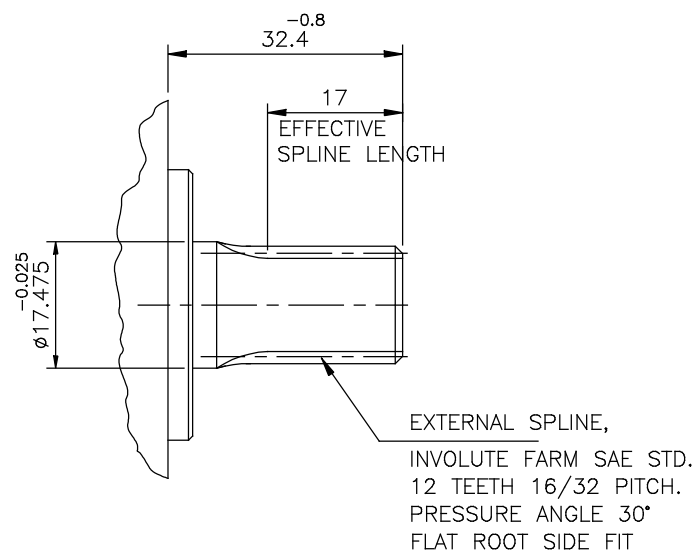
DRIVE SHAFT CODE – H

FLANGE CODE – D & S

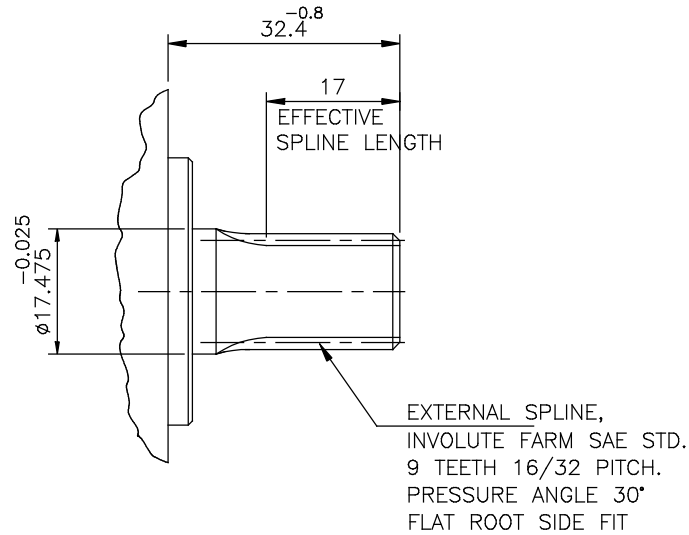


DRIVE SHAFT CODE – J

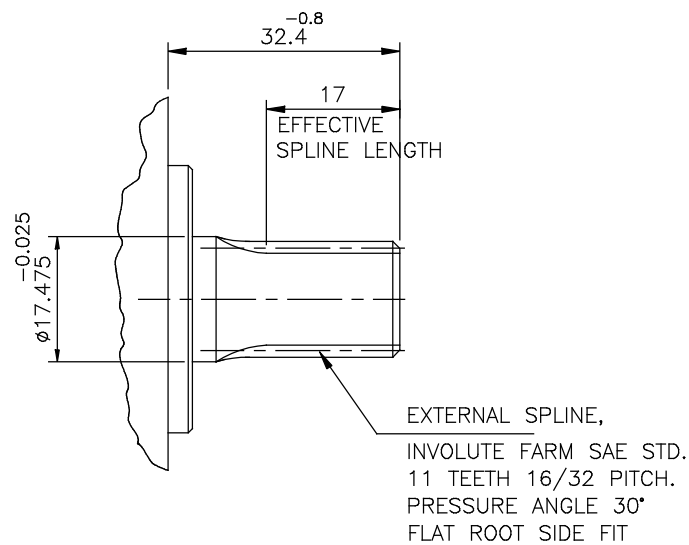
FLANGE CODE – D & S



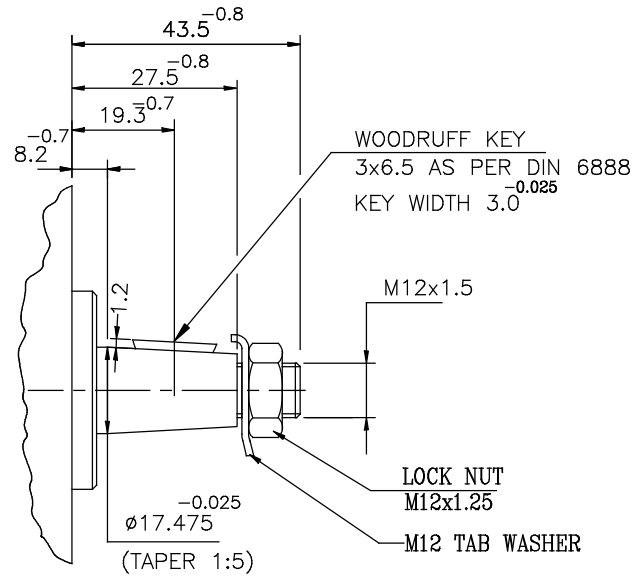
DRIVE SHAFT CODE - S
FLANGE CODE - D & S



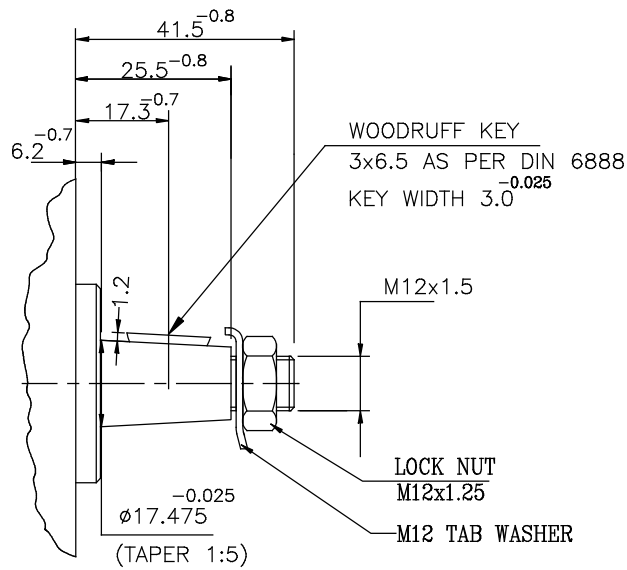
DRIVE SHAFT CODE - G
FLANGE CODE - D & S



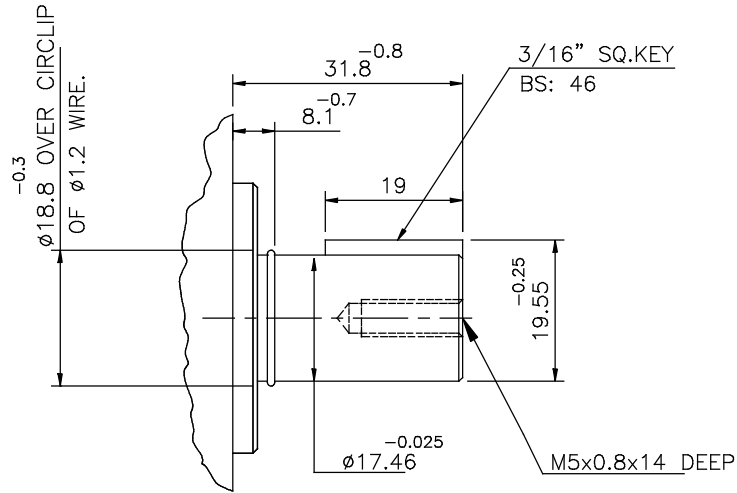
DRIVE SHAFT CODE - K
FLANGE CODE - K



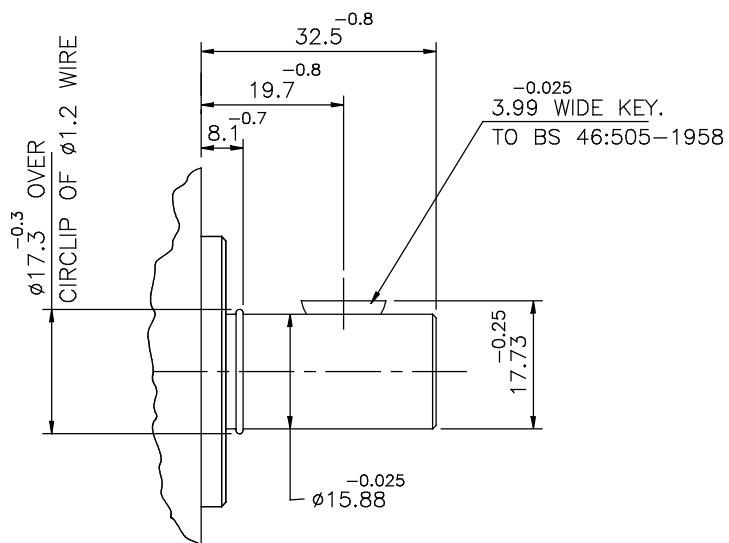
DRIVE SHAFT CODE - K
FLANGE CODE - D & S



DRIVE SHAFT CODE - P
 FLANGE CODE - D & S

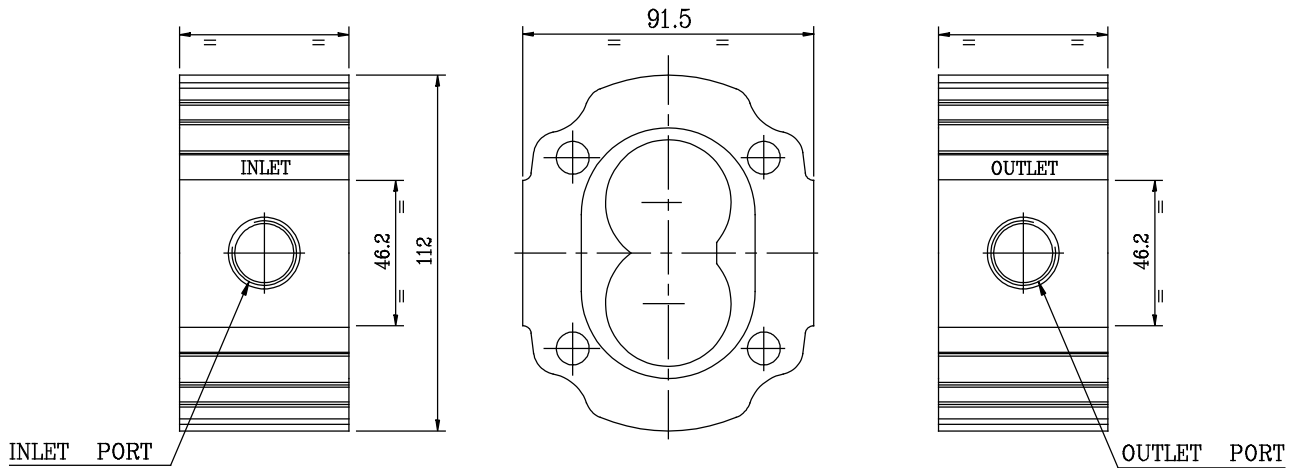


DRIVE SHAFT CODE - L
 FLANGE CODE - D & S



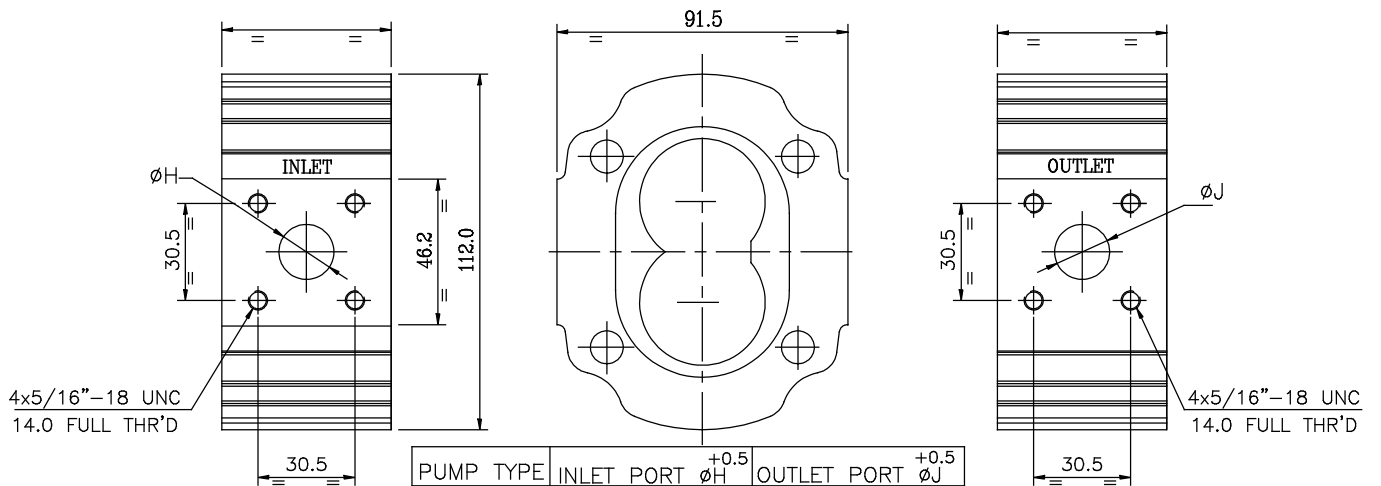
1P-3000 SERIES

BODY PORT CODE-T



PUMP TYPE	INLET PORT	THREAD.DEPTH	OUTLET PORT	THREAD.DEPTH
1P 3013	1/2" BSPF	14.0	1/2" BSPF	14.0
1P 3017	1/2" BSPF	14.0	1/2" BSPF	14.0
1P 3020	1/2" BSPF	14.0	1/2" BSPF	14.0
1P 3028	1/2" BSPF	14.0	1/2" BSPF	14.0
1P 3036	3/4" BSPF	17.8	1/2" BSPF	14.0
1P 3044	3/4" BSPF	17.8	3/4" BSPF	17.8
1P 3052	3/4" BSPF	17.8	3/4" BSPF	17.8
1P 3060	3/4" BSPF	17.8	3/4" BSPF	17.8
1P 3072	3/4" BSPF	17.8	3/4" BSPF	17.8
1P 3090	3/4" BSPF	17.8	3/4" BSPF	17.8

BODY PORT CODE - F



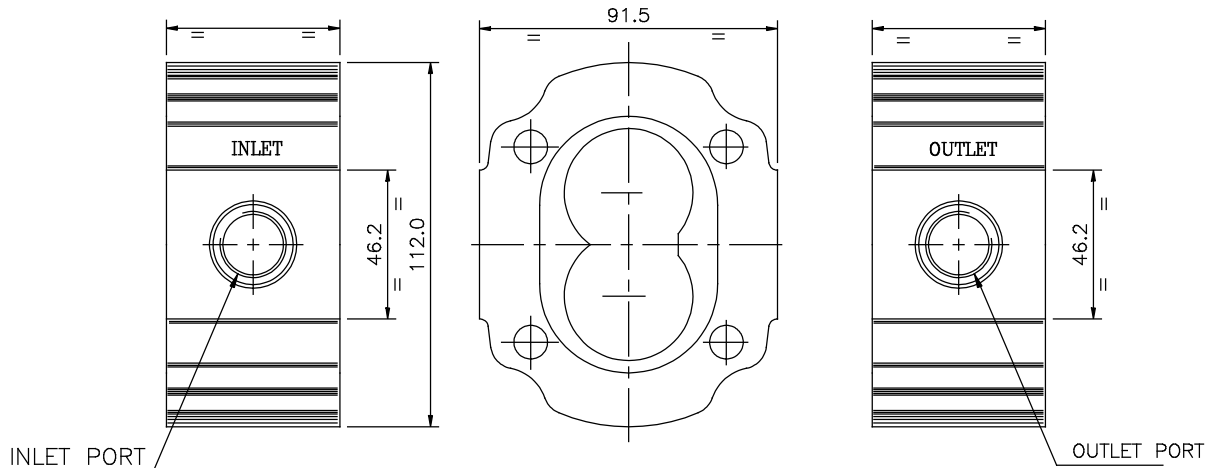
PUMP TYPE	INLET PORT $\overset{+0.5}{\phi}H$	OUTLET PORT $\overset{+0.5}{\phi}J$
1P 3013	17.3	17.3
1P 3017	17.3	17.3
1P 3020	17.3	17.3
1P 3028	17.3	17.3
1P 3036	17.3	17.3
1P 3044	20.3	20.3
1P 3052	20.3	20.3
1P 3060	20.3	20.3
1P 3072	20.3	20.3
1P 3090	20.3	20.3

ALL DIMENSIONS ARE IN MM UNLESS OTHERWISE SPECIFIED.

" CONSULT MARKETING FOR MORE FITMENT OPTIONS "

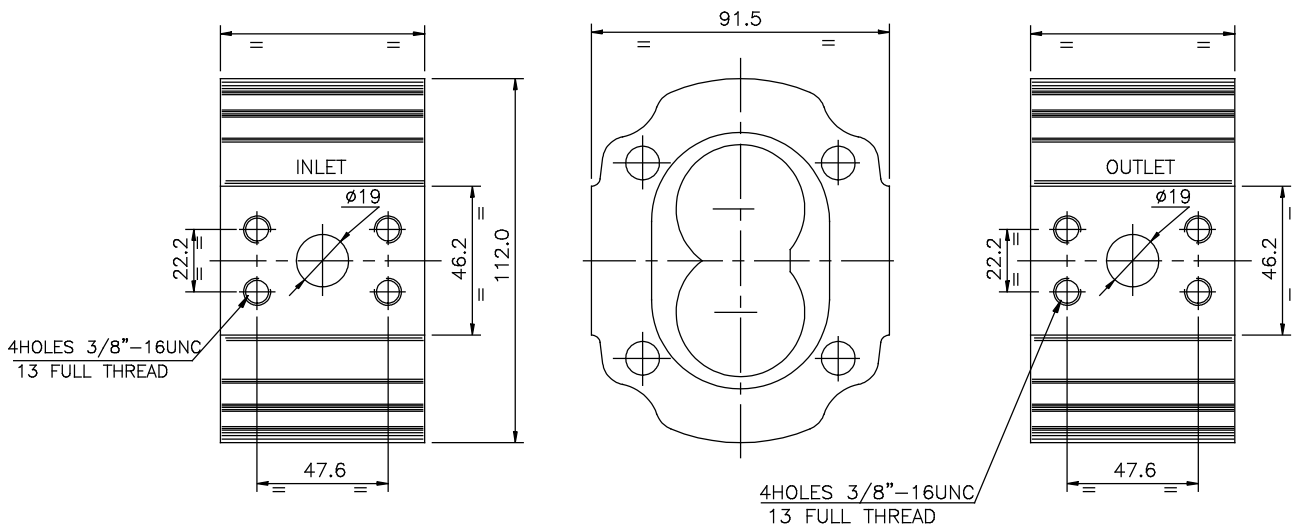
1P-3000 SERIES

BODY PORT CODE - J SAE O-RING THREADED PORTS. (SAE:J1926/1)



PUMP TYPE	INLET PORT	THREAD.DEPTH	OUTLET PORT	THREAD.DEPTH
1P 3013	1-1/16"12UN	19	7/8"-14UN	16.5
1P 3017	1-1/16"12UN	19	7/8"-14UN	16.5
1P 3020	1-1/16"12UN	19	7/8"-14UN	16.5
1P 3028	1-1/16"12UN	19	7/8"-14UN	16.5
1P 3036	1-1/16"12UN	19	7/8"-14UN	16.5
1P 3044	1-5/16"12UN	19	1-1/16"12UN	19
1P 3052	1-5/16"12UN	19	1-1/16"12UN	19
1P 3060	1-5/16"12UN	19	1-1/16"12UN	19
1P 3072	1-5/16"12UN	19	1-1/16"12UN	19
1P 3090	1-5/16"12UN	19	1-1/16"12UN	19

BODY PORT CODE - S



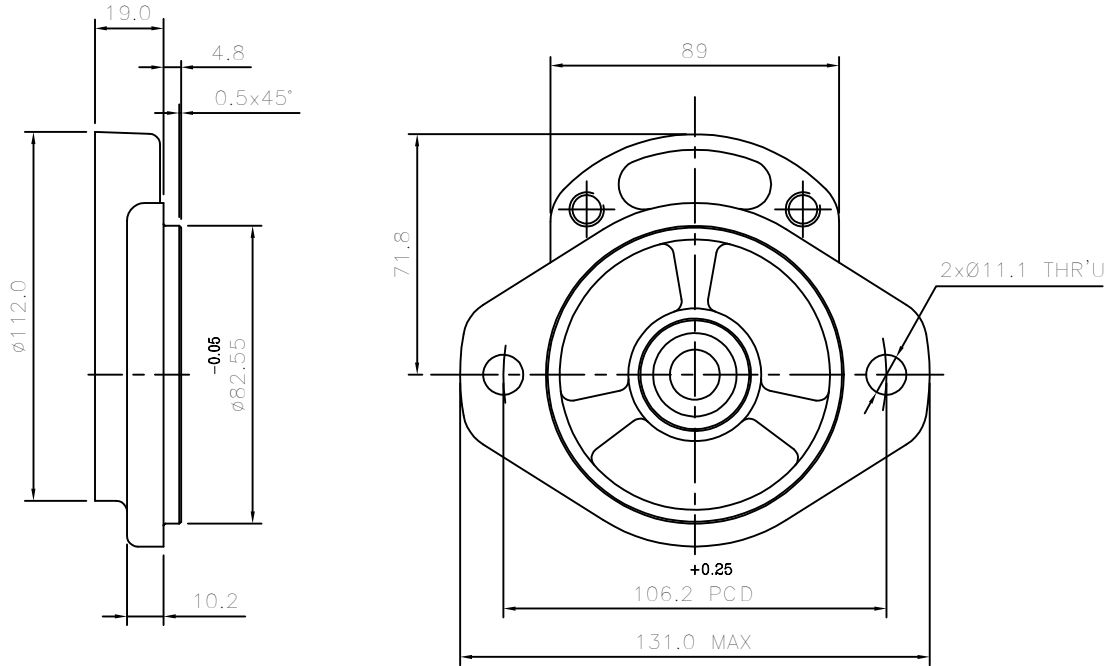
PUMP TYPE
1P 3044
1P 3052
1P 3060
1P 3072
1P 3090

ALL DIMENSIONS ARE IN MM UNLESS OTHERWISE SPECIFIED.

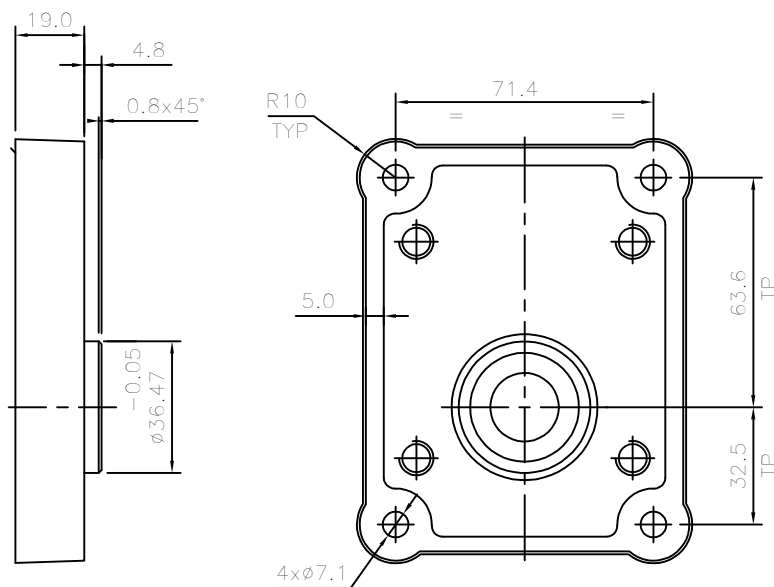
" CONSULT MARKETING FOR MORE FITMENT OPTIONS "

MOUNTING FLANGE P-3000 PROFILE

CODE-S (SAE A 2 BOLT MTG)

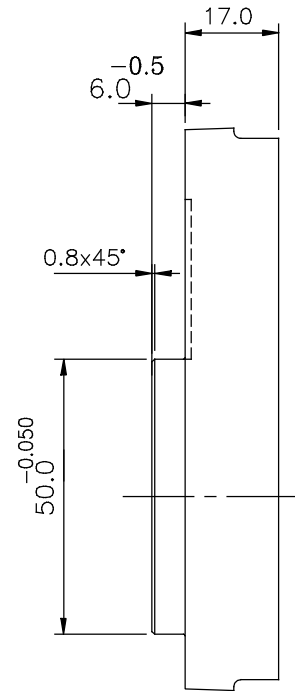
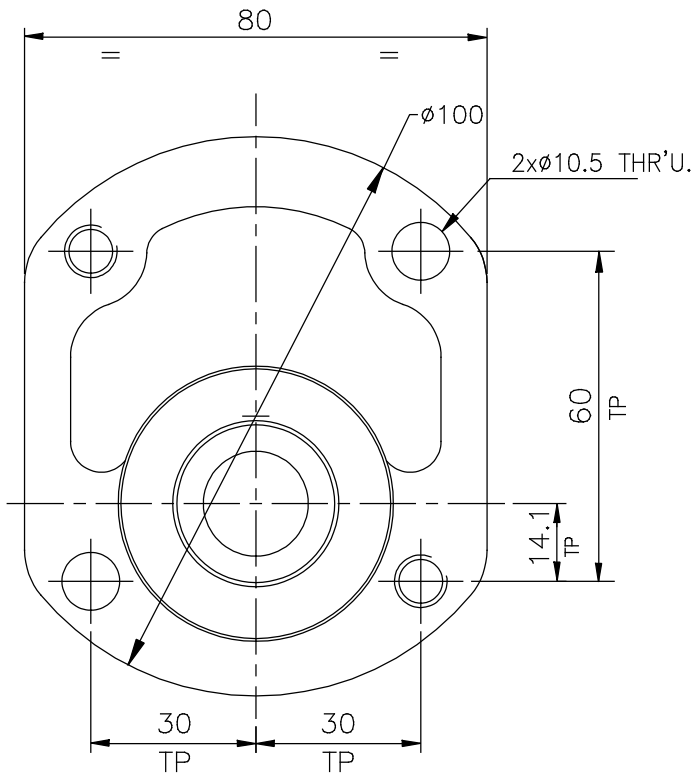


CODE-D (4 BOLT MTG)

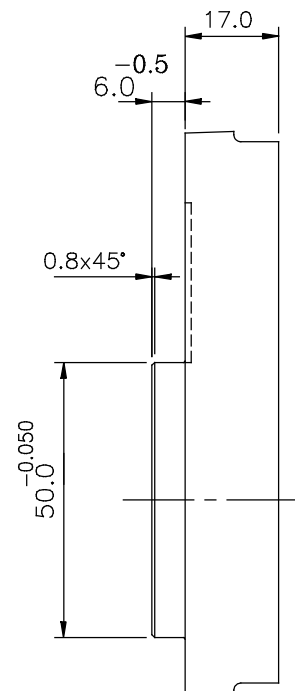
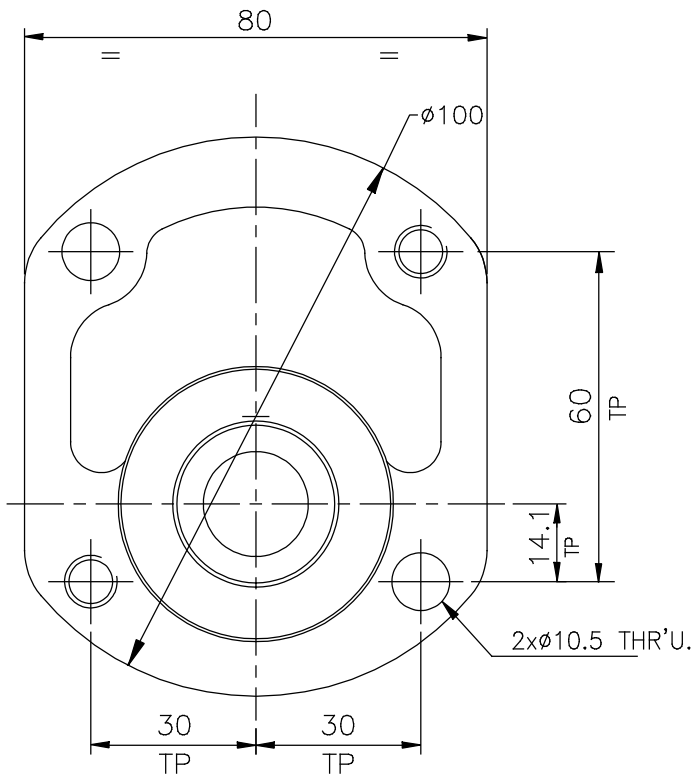


ALL DIMENSIONS ARE IN MM UNLESS SPECIFIED.

MOUNTING FLANGE CODE - K
 (CLOCKWISE ROTATION)
 2-BOLT MOUNTING

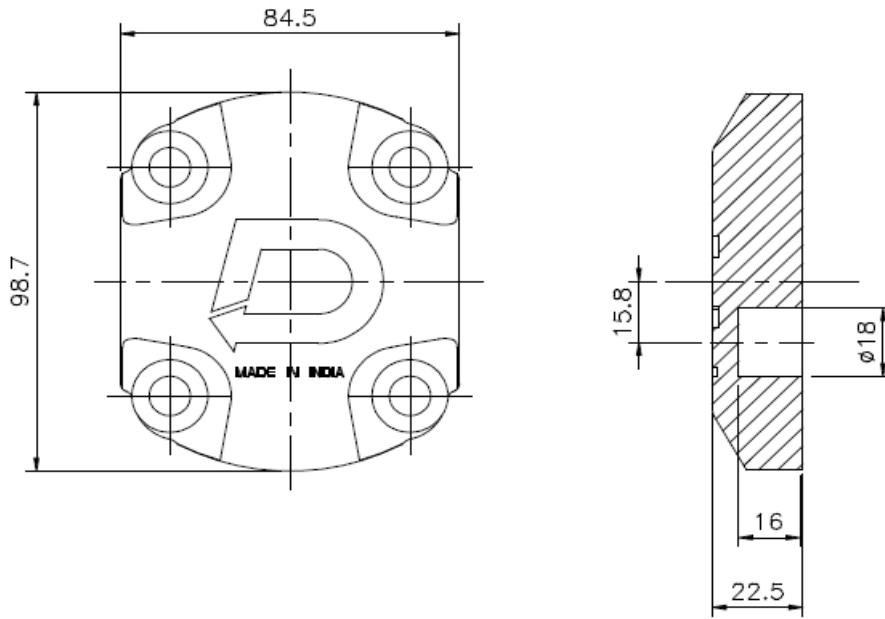


MOUNTING FLANGE CODE - K
 (ANTI CLOCKWISE ROTATION)
 2-BOLT MOUNTING

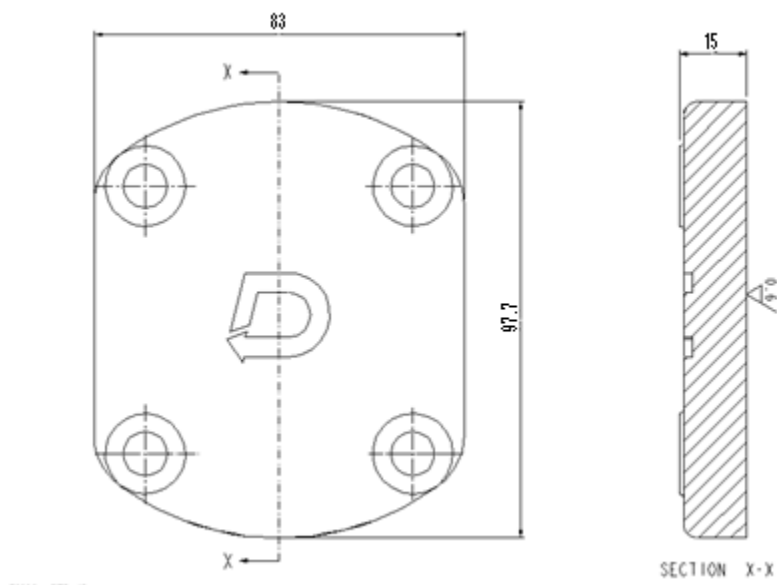


ALL DIMENSIONS ARE IN MM UNLESS OTHERWISE SPECIFIED.

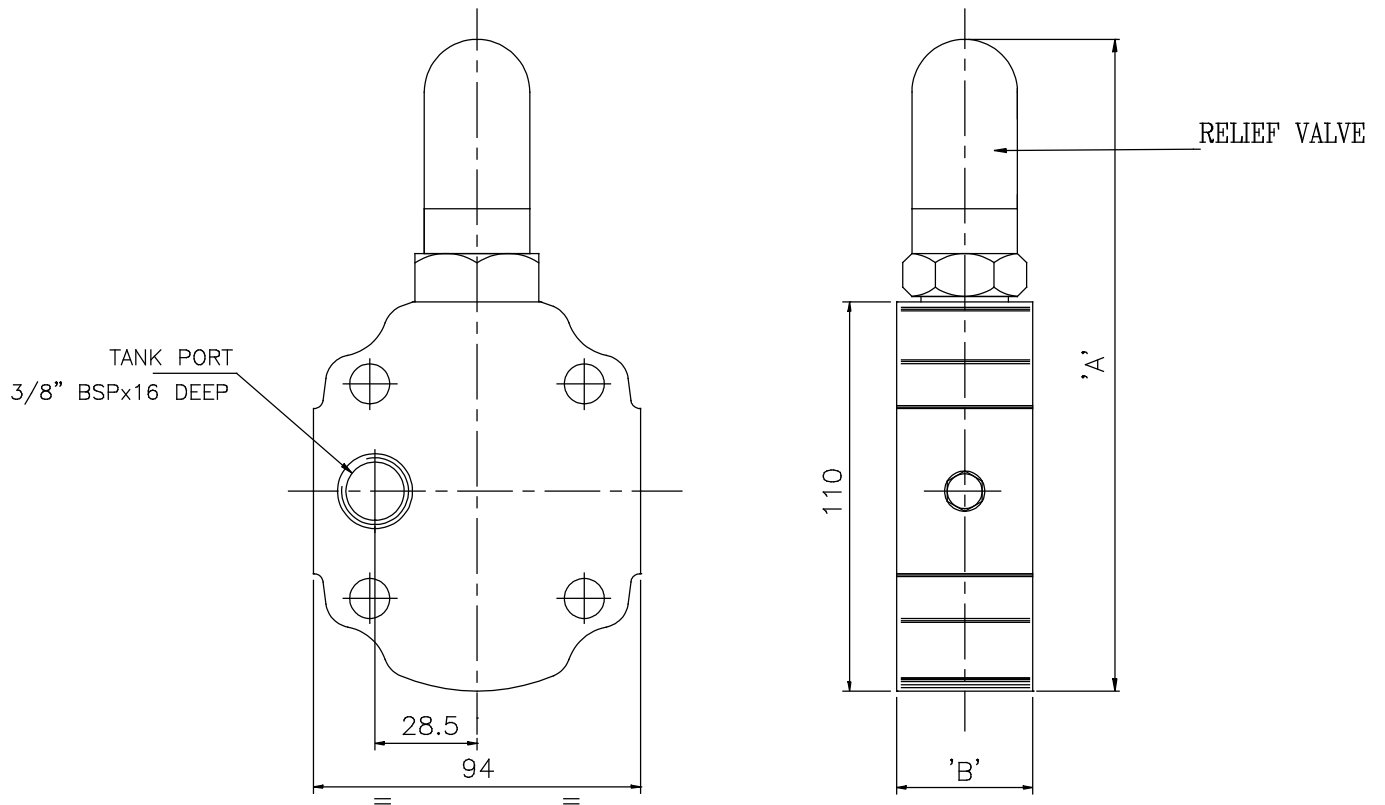
PUMP COVER CODE - A



PUMP COVER CODE - B



COVER WITH RELIEF VALVE : CODE-R



PUMP TYPE	RELIEF VALVE SIZE	DIMN-A	DIMN-B	FLOW RATING l/min	PRESSURE RATING bar
1P 3013 TO 1P 3036	NG-6	170	38	6 to 20	0 to 207
1P 3044 TO 1P 3090	NG-10	175	45	20 to 40	0 to 207