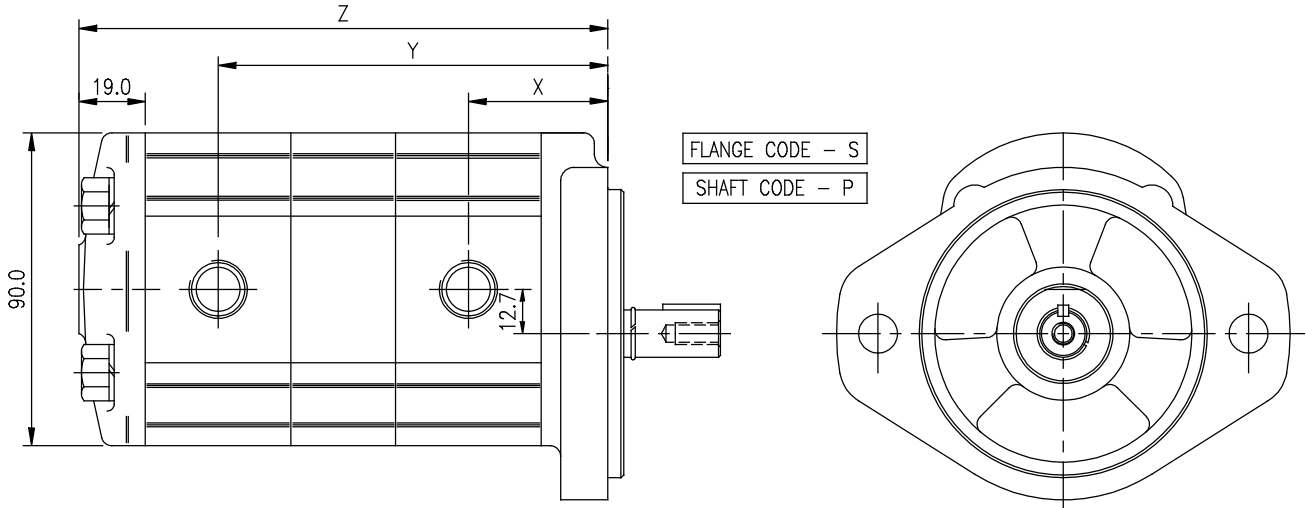


INSTALLATION DIMENSIONS



PUMP TYPE OP – OP	DIMENSIONS		
	X	Y	Z
3013–3013	41.6	112.0	153.5
–3011	”	111.3	152.2
–3008	”	110.3	150.2
–3006	”	109.6	148.7
–3004	”	109.0	147.6
–3003	”	108.6	146.7
3011–3011	40.9	110.0	150.8
–3008	”	109.0	148.8
–3006	”	108.2	147.4
–3004	”	107.7	146.2
–3003	”	107.2	145.4
3008–3008	39.9	107.0	146.8
–3006	”	106.2	145.4
–3004	”	105.7	144.3
–3003	”	105.3	143.4
3006–3006	39.1	104.8	143.9
–3004	”	104.2	142.8
–3003	”	103.8	141.9
3004–3004	38.6	103.1	141.6
–3003	”	102.7	140.8
3003–3003	38.1	101.8	139.9

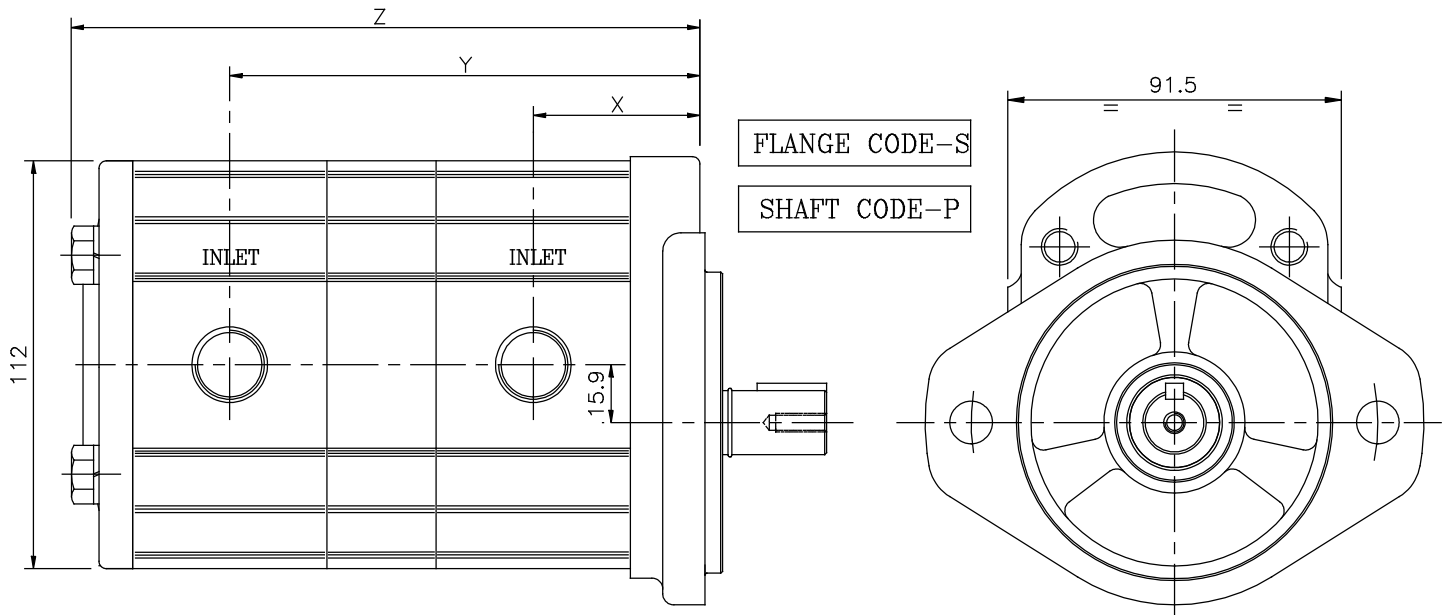
PUMP TYPE OP – OP	DIMENSIONS		
	X	Y	Z
3025–3025	45.4	123.4	168.8
–3019	”	121.5	164.9
–3015	”	120.4	162.6
–3013	”	119.6	161.2
–3011	”	118.9	159.8
–3008	”	118.0	157.8
–3006	”	117.2	156.3
–3004	”	116.7	155.2
–3003	”	116.2	154.4
3019–3019	43.4	117.7	161.1
–3015	”	116.5	158.8
–3013	”	115.8	157.3
–3011	”	115.1	156.0
–3008	”	114.1	154.0
–3006	”	113.4	152.5
–3004	”	112.8	151.4
–3003	”	112.4	150.5
3015–3015	42.3	114.0	156.4
–3013	”	113.4	155.0
–3011	”	112.7	153.6
–3008	”	111.8	151.6
–3006	”	111.0	150.1
–3004	”	110.5	149.0
–3003	”	110.0	148.2

ALL DIMENSIONS ARE IN MM UNLESS OTHERWISE SPECIFIED.

1P 1P TANDEM SERIES

INSTALLATION DIMENSIONS

1P 3000 SERIES



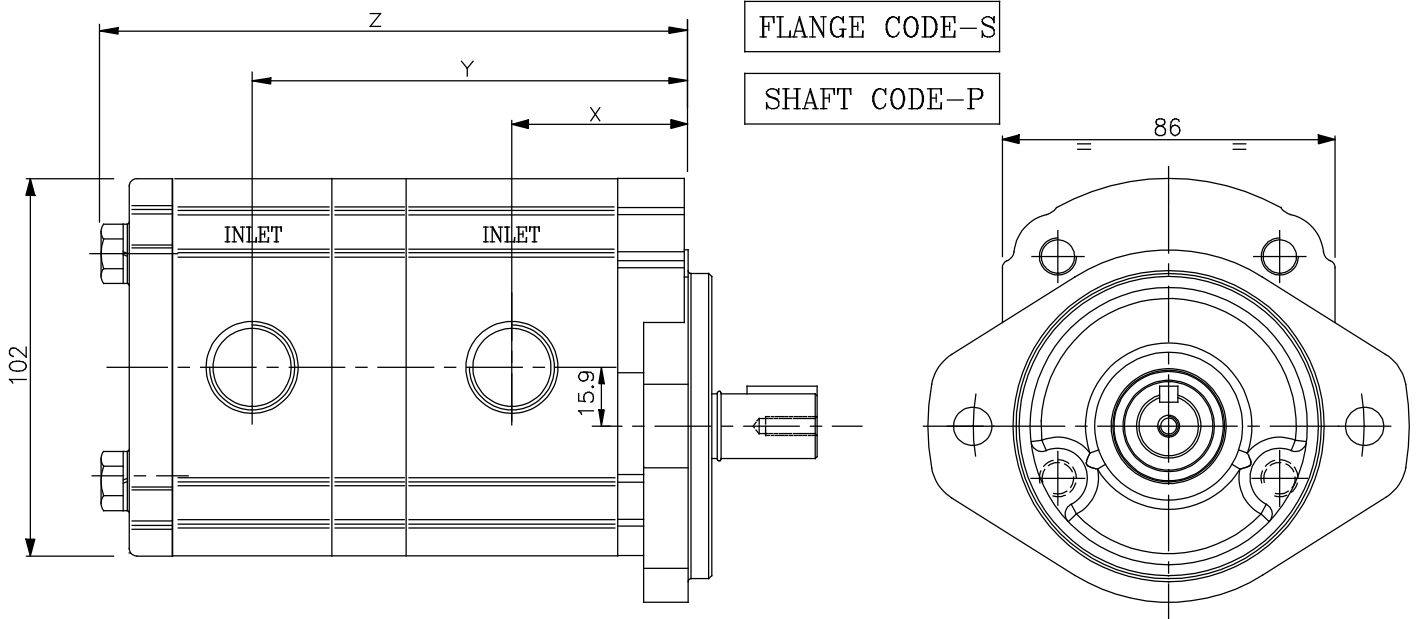
PUMP TYPE. 1P - 1P	DIMENSIONS		
	X	Y	Z
3090-3090	63.3	182.1	244.2
-3072	"	178.7	237.5
-3060	"	176.4	232.9
-3052	"	174.9	229.2
-3044	"	173.4	226.8
-3036	"	164.3	206.7
-3028	"	162.8	205.7
-3020	"	161.3	202.6
-3017	"	160.5	201.0
-3013	"	160.0	200.0
3072-3072	60.0	172.1	230.9
-3060	"	169.8	226.3
-3052	"	168.2	223.2
-3044	"	166.7	220.1
-3036	"	157.7	202.1
-3028	"	156.1	199.1
-3020	"	154.6	196.9
-3017	"	153.8	194.4
-3013	"	153.3	193.3
3060-3060	57.7	165.1	221.7
-3052	"	163.6	218.6
-3044	"	162.1	215.5
-3036	"	153.0	197.5
-3028	"	151.5	194.4
-3020	"	150.0	191.3
-3017	"	149.2	189.8
-3013	"	148.7	188.7

PUMP TYPE. 1P - 1P	DIMENSIONS		
	X	Y	Z
3052-3052	56.2	160.5	215.5
-3044	"	159.0	212.5
-3036	"	150.0	194.4
-3028	"	148.4	191.3
-3020	"	146.9	188.3
-3017	"	146.1	186.7
-3013	"	145.6	185.7
3044-3044	54.6	155.9	209.4
-3036	"	146.9	191.3
-3028	"	145.4	188.3
-3020	"	143.8	186.2
-3017	"	143.0	183.6
-3013	"	142.5	182.6
3036-3036	45.6	128.9	173.3
-3028	"	127.3	170.2
-3020	"	125.8	167.1
-3017	"	125.0	165.6
-3013	"	124.5	164.5
3028-3028	44.1	124.2	167.1
-3020	"	122.7	164.1
-3017	"	121.9	162.5
-3013	"	121.4	161.5
3020-3020	42.5	119.6	161.0
-3017	"	118.8	159.4
-3013	"	118.3	158.4
3017-3017	41.8	117.3	157.9
-3013	"	116.8	156.8
3013-3013	41.2	115.7	155.8

ALL DIMENSIONS ARE IN MM UNLESS OTHERWISE SPECIFIED.

1P 1P TANDEM SERIES

INSTALLATION DIMENSIONS 1P 4000 SERIES



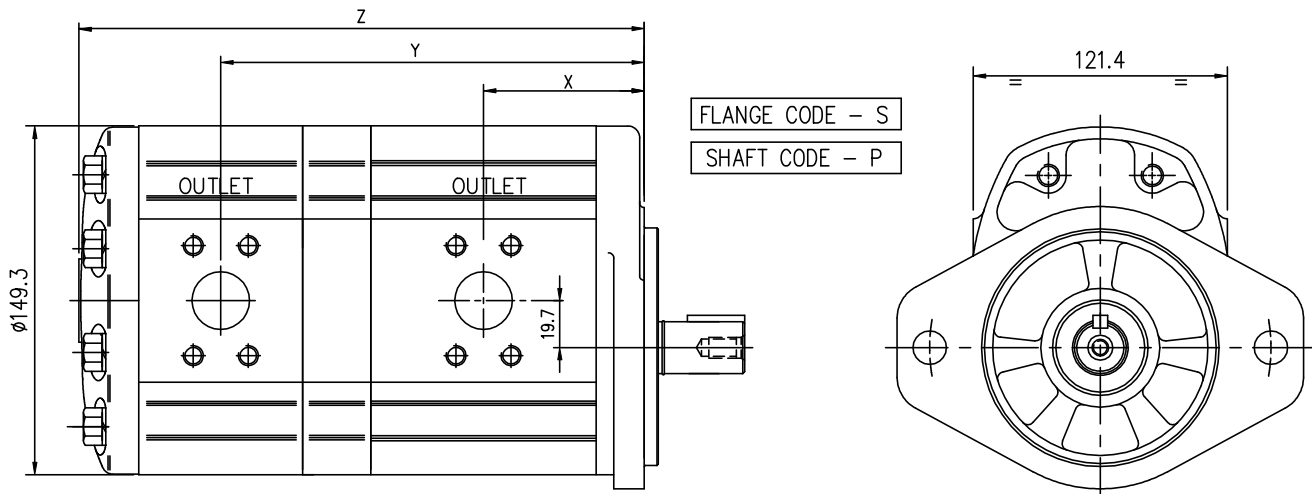
PUMP TYPE. 1P - 1P	DIMENSIONS		
	X	Y	Z
4090-4090	63.3	182.1	248.9
-4072	"	178.7	242.2
-4060	"	176.4	237.6
-4052	"	174.9	234.5
-4044	"	173.4	231.5
-4036	"	164.3	213.4
-4028	"	162.8	210.3
-4020	"	161.3	207.2
-4017	"	160.5	205.7
-4013	"	160.0	204.7
4072-4072	60.0	172.1	235.5
-4060	"	169.8	230.9
-4052	"	168.2	227.9
-4044	"	166.7	224.8
-4036	"	157.7	206.7
-4028	"	156.1	203.7
-4020	"	154.6	200.6
-4017	"	153.8	199.0
-4013	"	153.3	198.0
4060-4060	57.7	165.1	226.3
-4052	"	163.6	222.3
-4044	"	162.1	220.2
-4036	"	153.0	202.1
-4028	"	151.5	199.1
-4020	"	150.0	196.0
-4017	"	149.2	194.4
-4013	"	148.7	193.4

PUMP TYPE. 1P - 1P	DIMENSIONS		
	X	Y	Z
4052-4052	56.2	160.5	220.2
-4044	"	159.0	217.1
-4036	"	150.0	199.1
-4028	"	148.4	196.0
-4020	"	146.9	192.9
-4017	"	146.1	191.4
-4013	"	145.6	190.3
4044-4044	54.7	155.9	214.1
-4036	"	146.9	196.0
-4028	"	145.4	192.9
-4020	"	143.8	189.8
-4017	"	143.0	188.3
-4013	"	142.5	187.3
4036-4036	45.6	128.9	177.9
-4028	"	127.3	174.9
-4020	"	125.8	171.8
-4017	"	125.0	170.2
-4013	"	124.5	169.2
4028-4028	44.1	124.2	171.8
-4020	"	122.7	168.7
-4017	"	121.9	167.2
-4013	"	121.4	166.1
4020-4020	42.6	119.6	165.6
-4017	"	118.8	164.1
-4013	"	118.3	163.0
4017-4017	41.8	117.3	162.5
-4013	"	116.8	161.5
4013-4013	41.2	115.7	160.5

ALL DIMENSIONS ARE IN MM UNLESS OTHERWISE SPECIFIED.

2P – 2P TANDEM SERIES

INSTALLATION DIMENSIONS



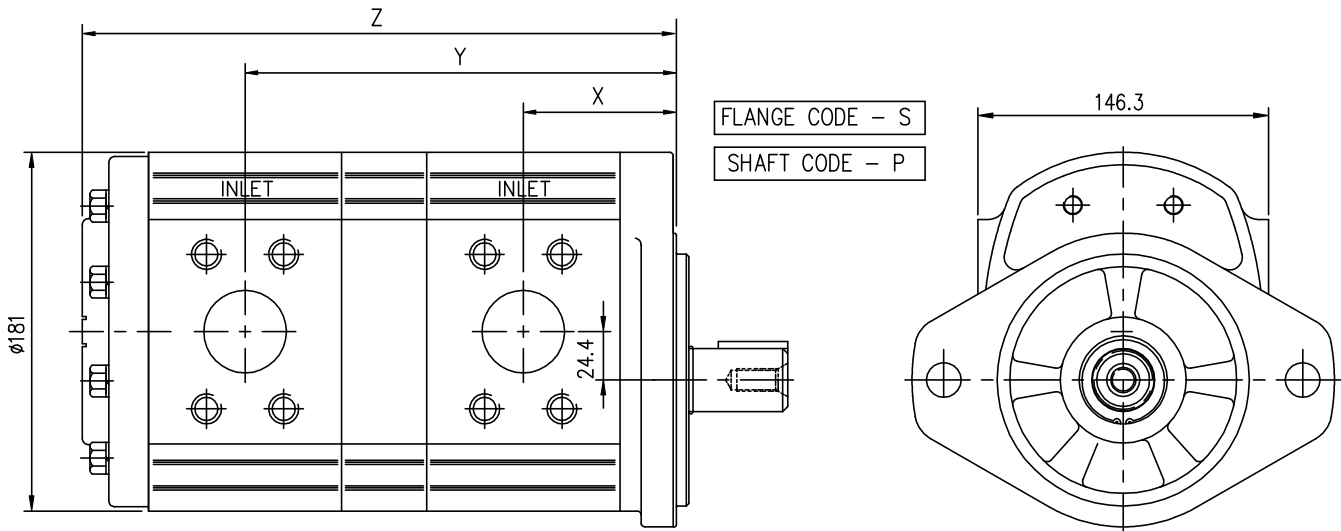
PUMP TYPE 2P – 2P	DIMENSIONS		
	X	Y	Z
3220-3220	81.7	235.0	320.8
-3158	”	227.6	306.0
-3146	”	226.0	302.9
-3120	”	223.0	296.8
-3105	”	221.1	293.1
-3090	”	212.4	275.6
-3070	”	210.0	270.8
-3050	”	207.5	265.9
3158-3158	74.3	212.7	291.1
-3146	”	211.2	288.1
-3120	”	208.1	282.0
-3105	”	206.3	278.3
-3090	”	197.5	260.7
-3070	”	195.1	256.0
-3050	”	192.7	251.1
3146-3146	72.7	208.1	285.0
-3120	”	205.1	278.9
-3105	”	203.2	275.2
-3090	”	194.5	257.7
-3070	”	192.0	252.9
-3050	”	189.6	248.0

PUMP TYPE 2P – 2P	DIMENSIONS		
	X	Y	Z
3120-3120	69.7	199.0	272.8
-3105	”	197.1	269.1
-3090	”	188.3	251.6
-3070	”	185.9	246.7
-3050	”	183.5	241.9
3105-3105	67.9	193.4	265.4
-3090	”	184.7	247.9
-3070	”	182.2	243.1
-3050	”	179.8	238.2
3090-3090	59.1	167.1	230.4
-3070	”	164.7	225.5
-3050	”	162.3	220.3
3070-3070	56.7	159.9	220.7
-3050	”	157.3	215.9
3050-3050	54.3	152.7	211.1

ALL DIMENSIONS ARE IN MM UNLESS OTHERWISE SPECIFIED.

3P – 3P TANDEM

INSTALLATION DIMENSIONS



PUMP TYPE.	DIM-X	DIM-Y	DIM-Z
3500-3500	98.8	280.2	384.2
-3380	"	270.0	363.6
-3330	"	266.0	355.6
-3300	"	263.4	350.5
-3250	"	259.4	342.6
-3210	"	256.3	336.2
-3180	"	253.9	331.4
-3150	"	251.4	326.5
3380-3380	88.6	249.5	343.1
-3330	"	245.5	335.1
-3300	"	242.9	330.0
-3250	"	239.0	322.1
-3210	"	235.8	315.7
-3180	"	233.4	310.9
-3150	"	231.0	306.0
3330-3330	84.6	237.5	327.1
-3300	"	234.9	322.0
-3250	"	231.0	314.0
-3210	"	227.8	307.7
-3180	"	225.3	302.8
-3150	"	222.9	298.0

PUMP TYPE.	DIM-X	DIM-Y	DIM-Z
3300-3300	82.0	229.8	316.8
-3250	"	225.8	308.9
-3210	"	222.6	302.5
-3180	"	220.2	297.7
-3150	"	217.7	292.8
3250-3250	78.0	217.9	301.0
-3210	"	214.7	294.6
-3180	"	212.3	289.8
-3150	"	209.8	285.0
3210-3210	74.8	208.3	288.2
-3180	"	205.9	283.4
-3150	"	203.5	278.6
3180-3180	72.4	201.1	278.6
-3150	"	198.7	273.7
3150-3150	70.0	193.8	268.9

ALL DIMENSIONS ARE IN MM UNLESS OTHERWISE SPECIFIED.